

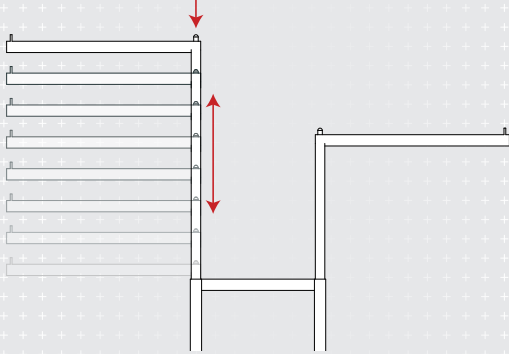
BUTTON



BUTTON

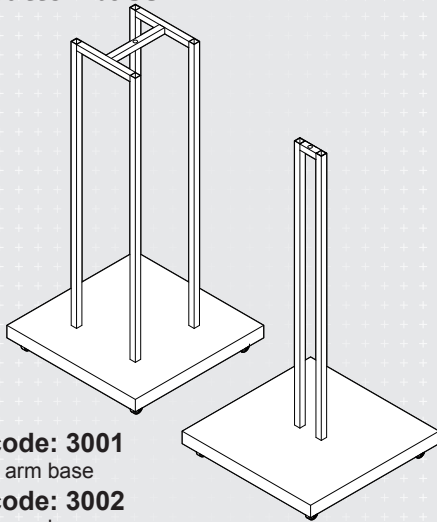
about button

Button is a thumb operated adjustable centre floor system for fashion applications



fully adjustable by hand, from 1m to 1.5m
simply grip the arm, press the thumb release
and raise or lower the arm.

button base



code: 3001

4 arm base

code: 3002

2 arm base

powder coated silver frame
softwhite base with 4 castors

button accessories



code: 3003

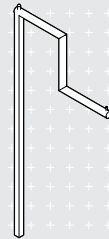
straight arm



finish: satin chrome

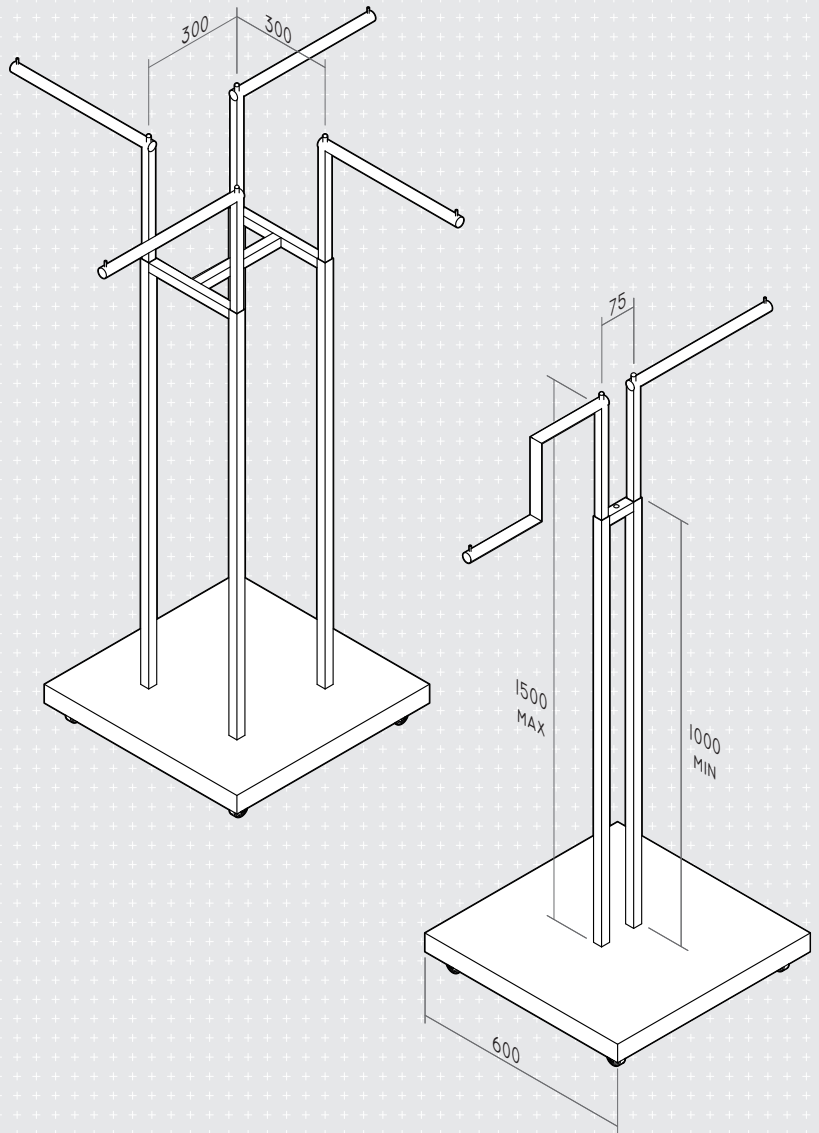
code: 3004


stepped arm



finish: satin chrome

ticket holders
various sizes on request



stock items marked: 

all dimensions in mm

all sizes nominal



unit b1, airton park, airton road, tallaght, dublin 24
t: 01 41 31 350 info@storedesign.ie
f: 01 41 31 353 www.storedesign.ie