

TWIN



TWIN

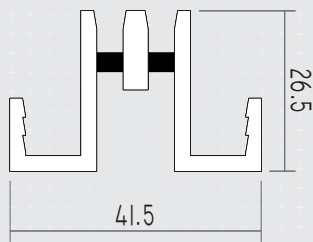
about twin

Twin upright is used primarily for wall cladding.

It can be used as a wall upright without panels, and also in centre floor applications. Uprights are silver or black anodised aluminium.

Supplied in heights of up to 2400

Special items available on request.



code: 2000AN

twin upright - anodised natural

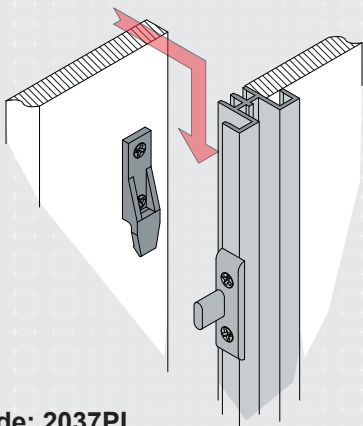
code: 2000AB

twin upright - anodised black

standard centres are 601

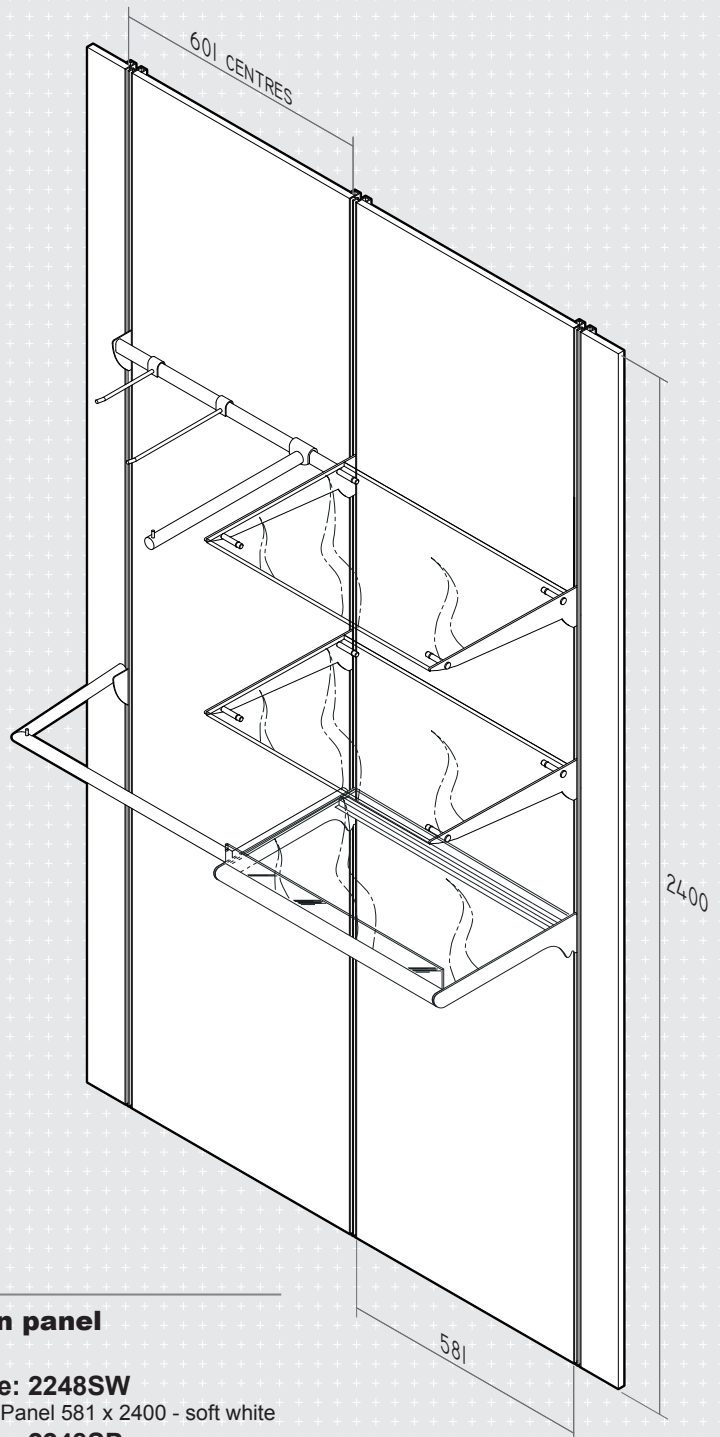


panel clip set



code: 2037PL

for fixing of panels to twin upright



twin panel

code: 2248SW

inset Panel 581 x 2400 - soft white

code: 2248SP


inset Panel 581 x 2400 - Spray finish

code: 2248WV

inset Panel 581 x 2400 - Veneer finish

note:

panels can be provided with built up ends as required

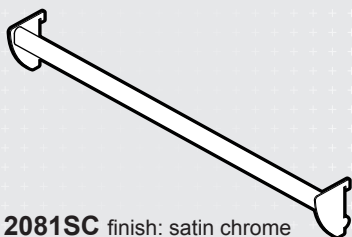
stock items marked: 

all dimensions in mm

all sizes nominal

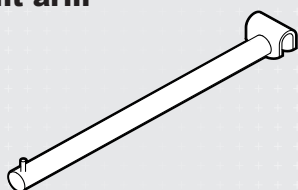


display rail



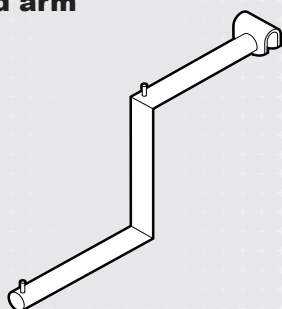
code: 2081SC finish: satin chrome
code: 2081MC finish: mirror chrome
 length: 596

straight arm



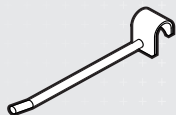
code: 2080SC finish: satin chrome
code: 2080MC finish: mirror chrome
 length: 400

stepped arm



code: 2082SC finish: satin chrome
code: 2082MC finish: mirror chrome
 length: 400

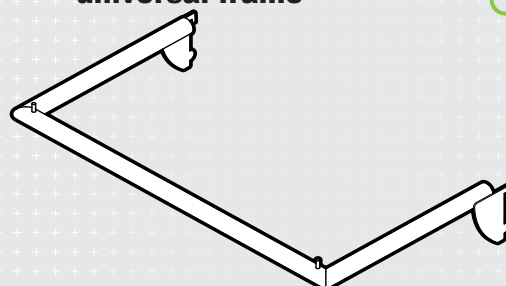
display hook



code: 2074SC finish: satin chrome
code: 2074MC finish: mirror chrome
 hook x 150

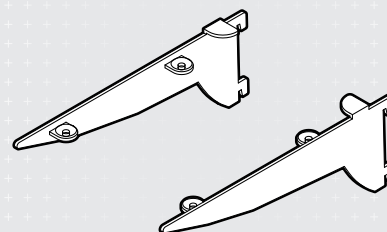
code: 2075SC finish: satin chrome
code: 2075MC finish: mirror chrome
 hook x 250

universal frame



code: 2079SC finish: satin chrome
code: 2079MC finish: mirror chrome
 universal frame 320 x 596
 finish: satin chrome

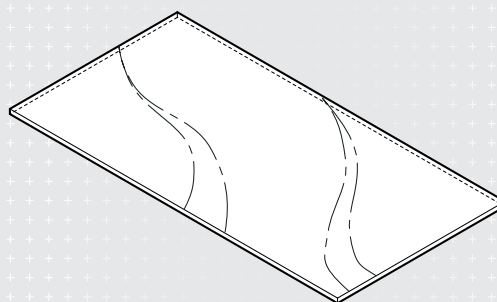
glass shelf bracket set



code: 1384SC finish: satin chrome
code: 1384MC finish: mirror chrome

length: 300
 use with 8.4mm laminated glass

glass shelf



code: 1391GC
 clear laminated glass shelf 588 x 300 x 8.4
code: 1392GO
 opal laminated glass shelf 588 x 300 x 8.4
code: 1393GC
 clear laminated glass shelf 588 x 400 x 8.4
code: 1394GO
 opal laminated glass shelf 588 x 400 x 8.4

