

# TWIN POST



# TWIN POST

## about twin post

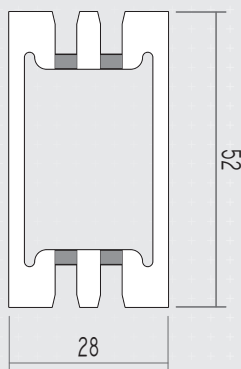
The twin post is suitable for fixing directly to finished walls.

A variety of fixings are available for side fixing or off wall fixing.

Posts are supplied silver anodised.

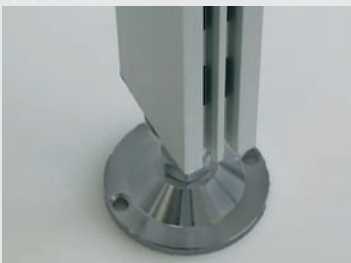
Supplied in lengths of up to 2500mm

Special items available on request.

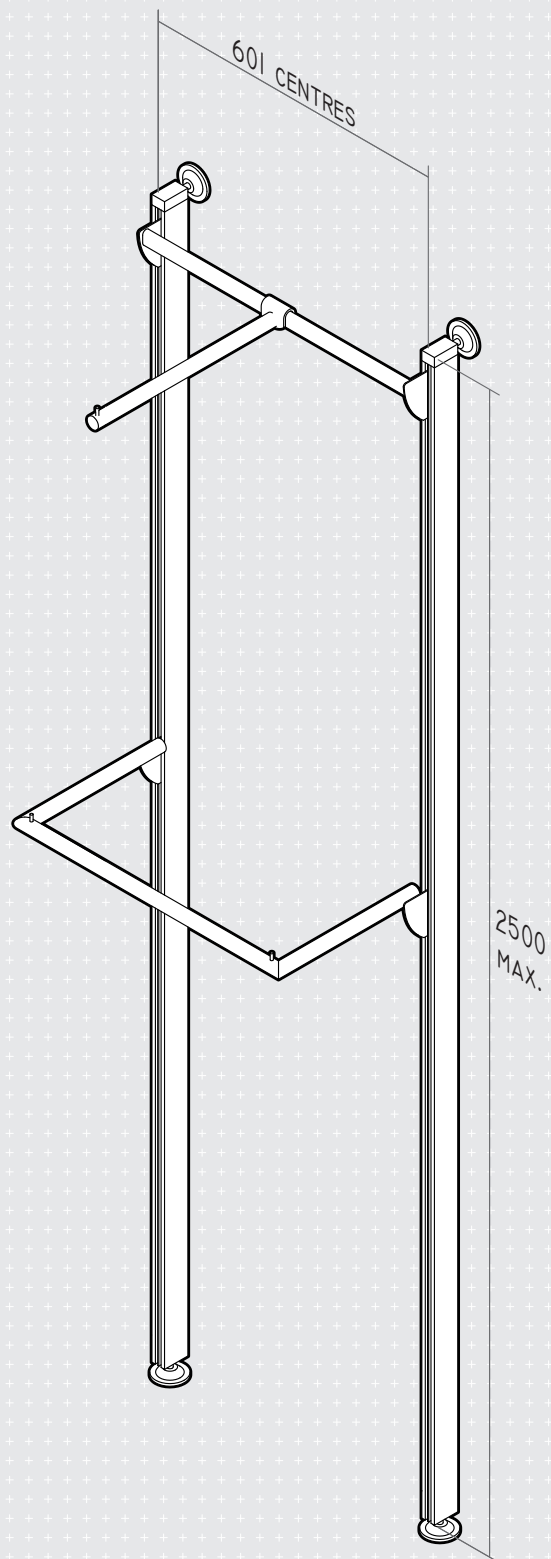



## code: 2500AN

standard centres 601, other spacing by request.



Adjustable floor and wall fixings included.



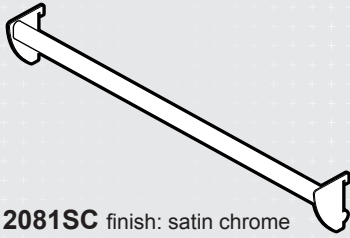
stock items marked: 

all dimensions in mm

all sizes nominal

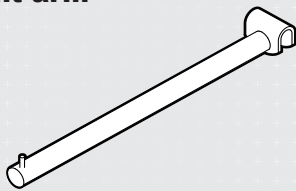


## display rail



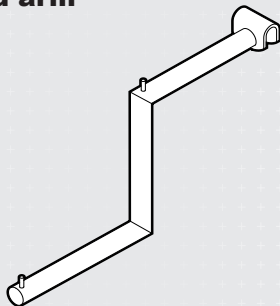
**code: 2081SC** finish: satin chrome  
**code: 2081MC** finish: mirror chrome  
 length: 596

## straight arm



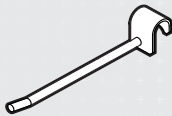
**code: 2080SC** finish: satin chrome  
**code: 2080MC** finish: mirror chrome  
 length: 400

## stepped arm



**code: 2082SC** finish: satin chrome  
**code: 2082MC** finish: mirror chrome  
 length: 400

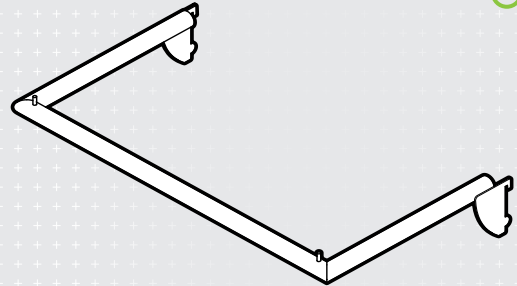
## display hook



**code: 2074SC** finish: satin chrome  
**code: 2074MC** finish: mirror chrome  
 hook x 150

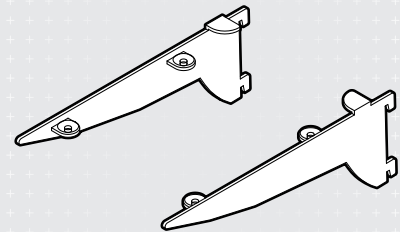
**code: 2075SC** finish: satin chrome  
**code: 2075MC** finish: mirror chrome  
 hook x 250

## universal frame



**code: 2079SC** finish: satin chrome  
**code: 2079MC** finish: mirror chrome  
 universal frame 320 x 596  
 finish: satin chrome

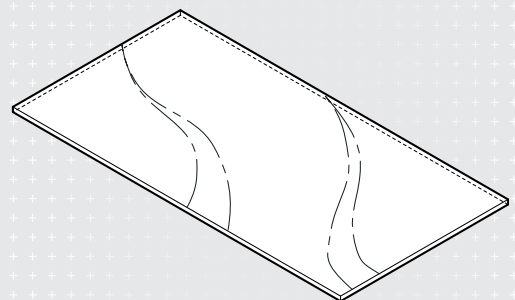
## glass shelf bracket set



**code: 1384SC** finish: satin chrome  
**code: 1384MC** finish: mirror chrome

length: 300  
 use with 8.4mm laminated glass

## glass shelf



**code: 1391GC**  
 clear laminated glass shelf 588 x 300 x 8.4  
**code: 1391GO**  
 opal laminated glass shelf 588 x 300 x 8.4  
**code: 1392GC**  
 clear laminated glass shelf 588 x 400 x 8.4  
**code: 1392GO**  
 opal laminated glass shelf 588 x 400 x 8.4

